



Issues in OO Testing

Chapter 16



OO context

- OO based on hope that objects could be reused without
 - **Modification**
 - **Additional testing**
 - **Based on notion that objects encapsulate functions and data that belong together**
- Consensus now is that such optimism is unwarranted
 - **OO programs has more severe testing problems than traditional programs**
- Looking to other models that can be combined with OO to ameliorate the problems
 - **Aspect-oriented programs**
 - **Aspect-orientation can be combined with any programming language**



Problems to address

- Levels of testing
 - **What is a unit?**
- Implications of composition strategy of OO
 - **Compare to functional decomposition**
 - **OO programs**
 - **Inheritance, encapsulation and polymorphism**
 - **How can traditional testing be extended?**



OO unit

- Two definitions
 - **A unit is the smallest program component that can be compiled and executed**
 - **A unit is a program component that would be developed by one person**
 - **Could be a sub-part of one class**



Unit is 1-person development

- Traditional testing works well
- Shifts much of the burden of testing to the integration level
- Does not take encapsulation into account



Unit is compilable & executable

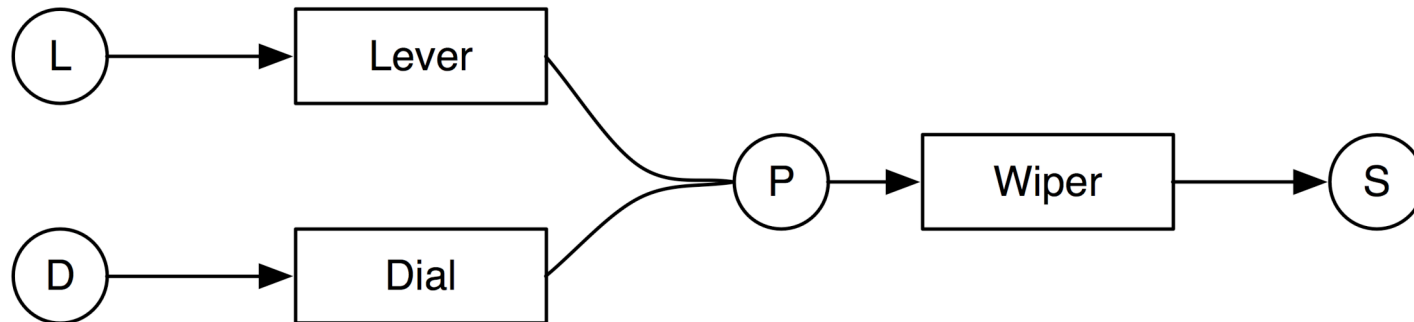
- Can describe behaviour
 - **Model with FSM – Statechart**
 - **Very useful for identifying test cases**
- Integration testing is easier
 - **Integrate by combining already tested classes**
 - **Similar to traditional testing**



Composition & Encapsulation

- A class may be combined with other unknown classes
 - **Goal of reuse**
 - **Need high cohesion, low coupling**
- Need very good unit testing
- Reality is that burden of testing is still on integration testing

System Specification Diagram

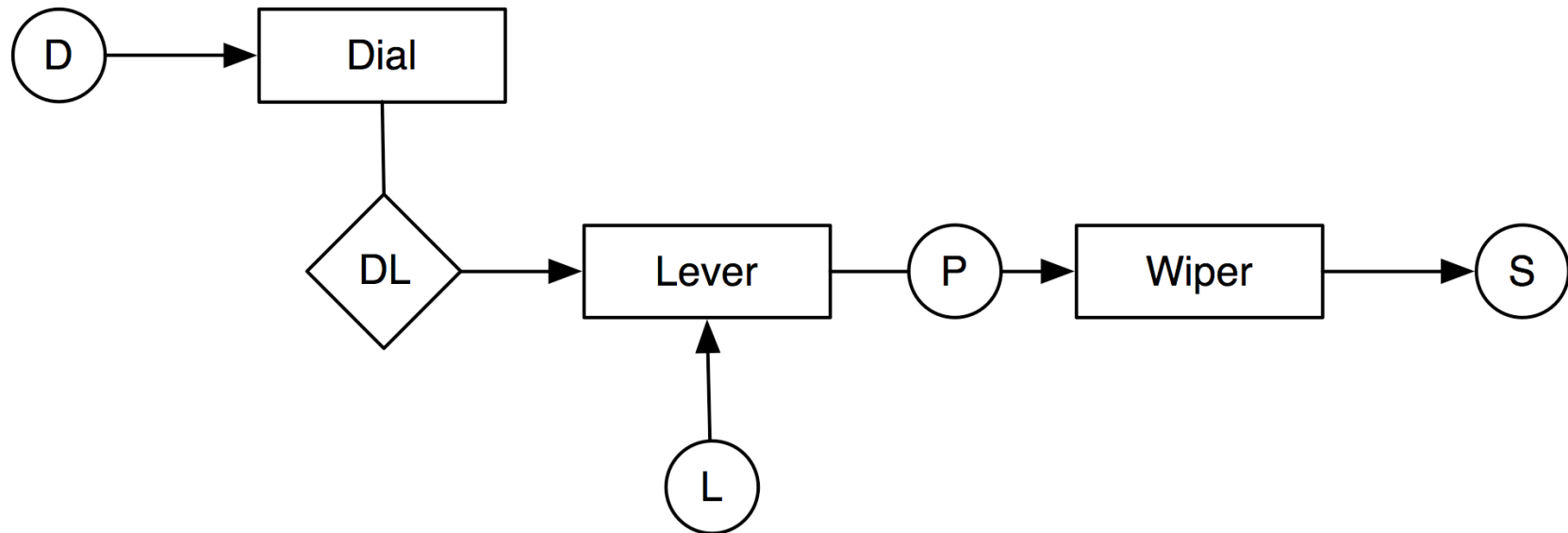


All communication channels are data stream

Channel P is a rough merge of the data streams from Lever and Dial

Low coupling between Wiper Lever and Dial

SWW-SSD 2

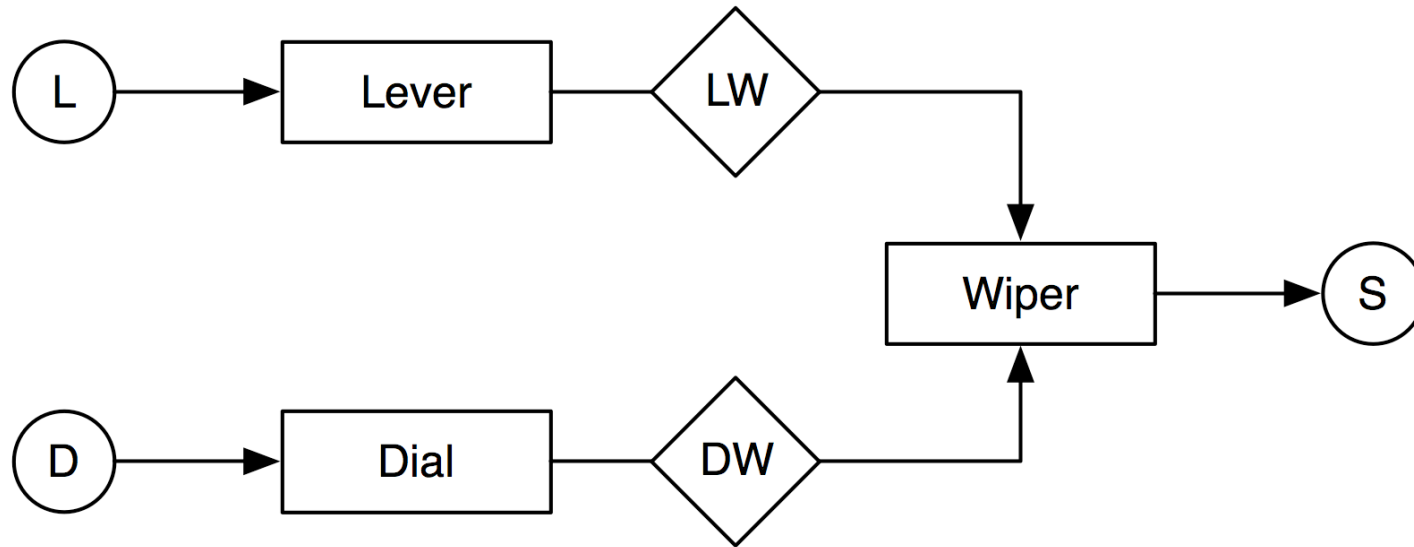


Channel DL is a statevector read of Dial by Lever

High coupling between Lever and Dial

When does Lever read DL?

SWW – SSD 3



**High coupling between
Wiper and Lever
Wiper and Dial**

**When does Wiper read
LW and DW?**



Complication of inheritance

- Unit is more difficult to define when inheritance is involved
 - **Suggestion is to use the flat definition**
 - **Becomes complicated with multiple inheritance**
- Flattening solves inheritance problem
 - **Flattened classes are not a part of the system**
 - **Cannot be certain properly tested**
- May not have necessary methods for testing
 - **Can add test methods**
 - **Should they be a part of the delivered system?**
 - Analogous to having instrumented program text
 - **Test methods need to be tested ...**

See Figures 16.2 & 16.3



Complication of polymorphism

- Testing with different objects
 - **Redundant**
 - **Lose hoped for economies**



Levels of testing – 1

- Individual methods are units
 - **Four levels**
 - **Method**
 - Unit testing
 - **Class**
 - --> Intraclass integration testing
 - **Integration**
 - --> Interclass integration testing
 - **System**
 - At port level – same as traditional testing



Levels of testing – 2

- Classes are units
 - **Three levels**
 - **Class**
 - Unit testing
 - **Integration**
 - **System**



Dataflow testing

- Need analogue to dataflow testing of units in traditional programs
 - **Use a revised Petri net definition to handle method calls between classes**